

Below is the **desired** format and rules for the 2018 North America Regional PetroBowl Qualifier. The format may change depending on the number of teams registering for the event.

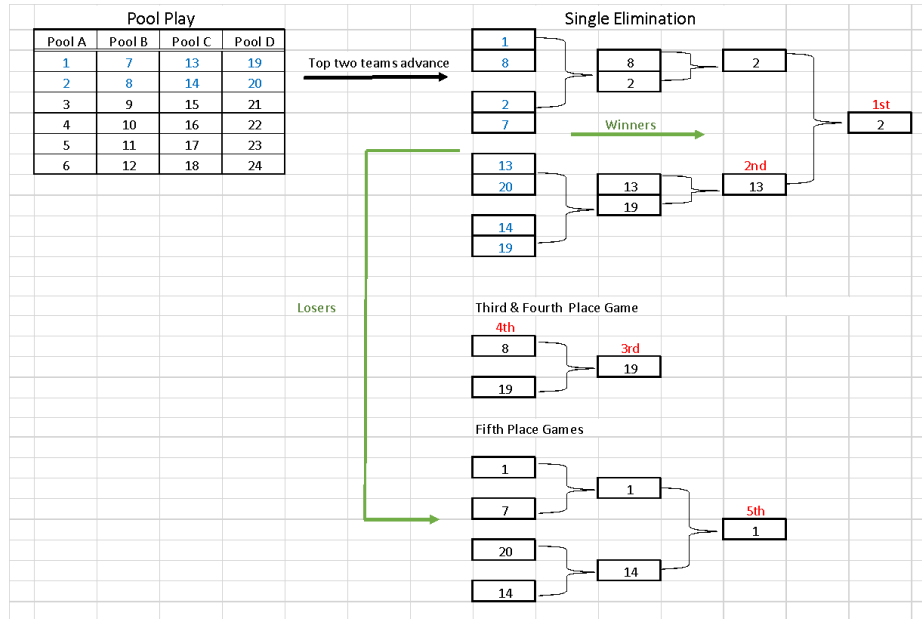
**Final rules will be posted on January 24, 2018**

A. General Format

i. Structure

- 4-6 Pools with 6-8 teams in each (each team plays each other once)
- Pools will be randomly generated
- Top 2 teams from each pool advance to the final single elimination bracket

ii. Example Set-Up



B. Game Regulations

i. Pool Play

- Each game will consist of 10 toss- up questions
  - The teams will have 10 seconds to buzz in and answer each question
  - Only the player who buzzes in and is acknowledged by the moderator can answer the question. Players are NOT allowed to confer with teammates on toss up questions
- If a toss- up question is answered correctly, the team will receive 10 points and then be asked a bonus question
  - The bonus questions will have a 15 second time limit (unless otherwise specified)
  - Teams may confer with each other, but the designated team captain must give the final answer
  - Teams will receive up to 10 points for a correct answer to a bonus question. Partial credit may be given. If a bonus question is answered incorrectly, the team will receive 0 points, but not be penalized. The opposing team does not get an opportunity to attempt the bonus question
- If the first player who buzzes in, misses the toss-up question, their team will receive “-5” points and players on the opposing team have an additional 10 seconds to buzz in to answer if they choose.

- If both teams refrain from buzzing in, the next toss up question will be asked
- If the score is tied at the end of the game, 3 additional toss up questions (and bonus questions if applicable) will be asked. The same scoring rules apply in the overtime period, including losing 5 points for wrong toss up answers. If the score is still tied after the 3 toss up questions, the toss up questions will be asked until the score changes.
- ii. Teams Advancing to Single Elimination
  - The top 2 teams from each pool will advance to the single elimination bracket. The top 2 teams will be determined by record, not by total points. For example a team that is 4-1 in pool play will advance over a team that is 3-2, even if the 3-2 team score more total points
  - In the event of a tie (Same record) between 2 or more teams, those teams will be ranked based on total points scored.
  - The teams will be seeded within the single elimination bracket by the total number of questions answered correctly during pool play (toss-up and bonus)
    - If the pools have varying number of teams, the top teams will be seeded based on the total number of questions answered correctly within 5 games (highest scoring games will be used for this purpose).
- iii. Single Elimination Bracket
  - Each game will consist of 15 toss-up questions.
  - The format, scoring, and tiebreaker rules for toss-ups and bonus questions are the same as in games for pool play

### C. Question Structure

#### i. Questions

- Question come from 2 main categories
  - [75%] Technical Questions
    - Fluid properties
    - Reservoir
    - Drilling
    - Production
    - Completions
    - Well-logging
    - Petrophysics
    - Geology
    - General Engineering
    - Oil Field Technology
    - Short calculations
  - [25%] non-technical Questions
    - History (e.g. “The Prize”)
    - Oil and Gas Statistics
    - Current Events
    - SPE history and facts
    - Pop Culture (Books and Movies)